



PRE-OWNED



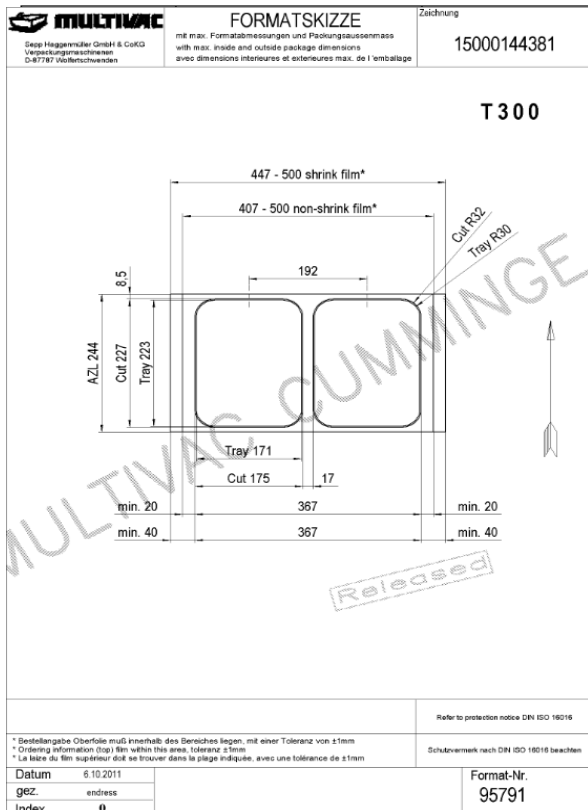
MULTIVAC
BETTER PACKAGING

Multivac T300 Tray Sealer for MAP and Skin Packaging

Serial Number 163042



File photo



Multivac T300 tray sealer for MAP & Skin packaging Year 2012

- Stainless Steel construction
- Approx Machine dimensions 2450 x 1100 x 1640mm
- Standard working direction right to left side
- IPC06 Control, storage for 500 recipes
- Touch screen terminal 12.1" color display
- IP65 Stainless Steel enclosure and LED backlight
- USB interface integrated in the operating terminal
- External backup of recipes on memory stick possible
- Password protection w/3 levels for different authorizations
- Rate meter, cycle counter, production hour meter
- Safety system E with slides in loading area
- Advance system chain with Servo drive
- F24 Mechanical film unwind with 3" core maximum
- Film advance system FV30
- UV 10 for evacuation and gas flushing
- VBS91 Gas flush system for O2 levels <20%
- Busch RA0100 vacuum pump - mounted internally
- Discharge roller path
- MAP Die for CS978 tray
- Tray dimensions (mm) 171 x 223 x 38.1 deep
- Full one year manufacturers warranty
- Machine Price tbd